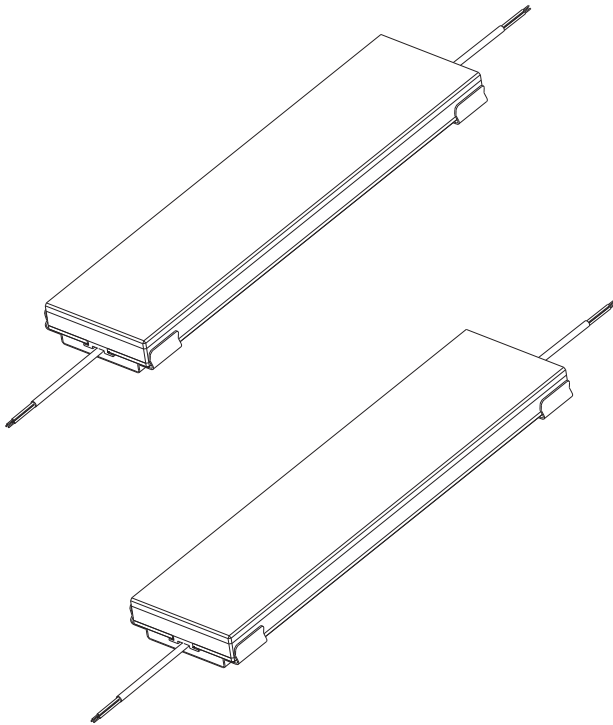


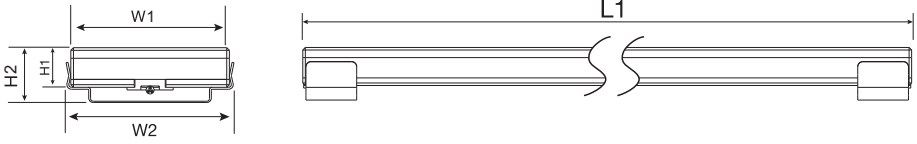
LED Wall Tile Instruction



- Please read instruction carefully before assembling and installation
- Please keep instruction as reference in the future

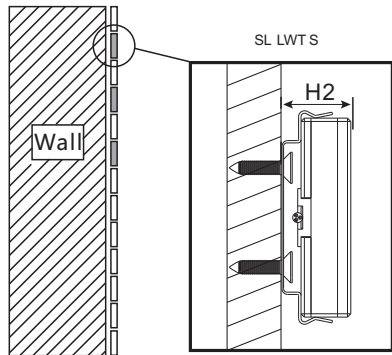
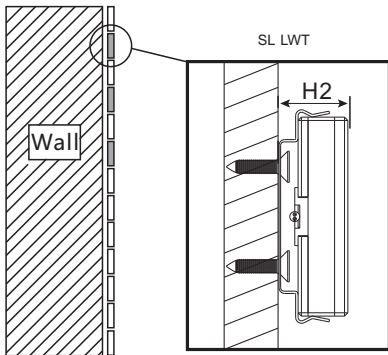
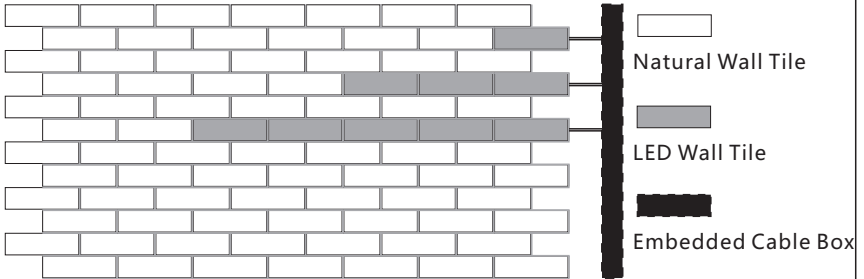
Contents

Product Brief	P3
Installation	P4-P6
Fittings	P6
Construction	P7
Troubleshooting	P8



Model	Dimension(mm)					Weight (g)	Rated Power (W)	Input Current (A)	Rated Voltage (V)	Luminous Area (m ²)
	L1	W1	W2	H1	H2					
SL LWT 240	240	60	64	12	18	400±80	White: 0.5W	0.0208	DC24	0.0144
SL LWT 730	730	60	64	12	18	980±80	White: 1.0W	0.0416	DC24	0.0288
SL LWT 1220	1220	60	64	12	18	1700±80	White: 1.5W	0.0625	DC24	0.0432
SL LWT 240 S	240	60	64	15	21	480±80	White: 0.5W RGB: 1.5W	White: 0.0208 RGB: 0.0625	DC24	0.0144
SL LWT 730 S	730	60	64	15	21	1160±80	White: 1.0W RGB: 3.0W	White: 0.0416 RGB: 0.125	DC24	0.0288
SL LWT 1220 S	1220	60	64	15	21	1990±80	White: 1.5W RGB: 4.5W	White: 0.0625 RGB: 0.1875	DC24	0.0432

Example Wall



1

Ø 6mm

① Drill 4 holes on the wall (ϕ 6mm X H28mm).
 ② The hole spacing should strictly follow the data on the left form.
 ③ Insert M6*25mm pentagons plastic wall plug anchor into the holes

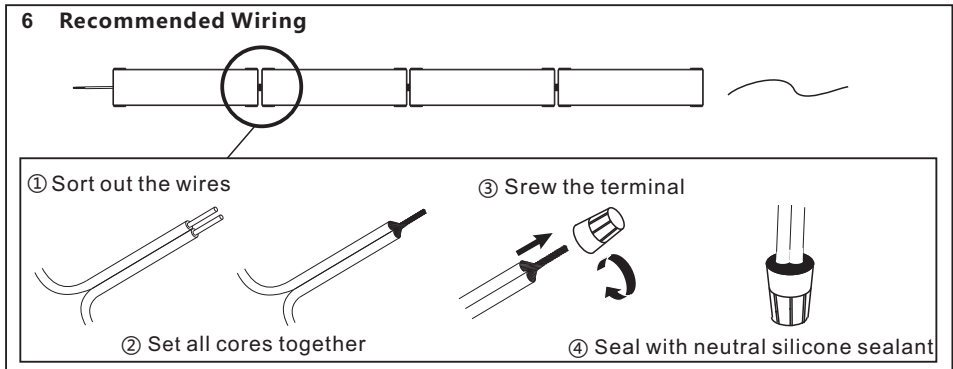
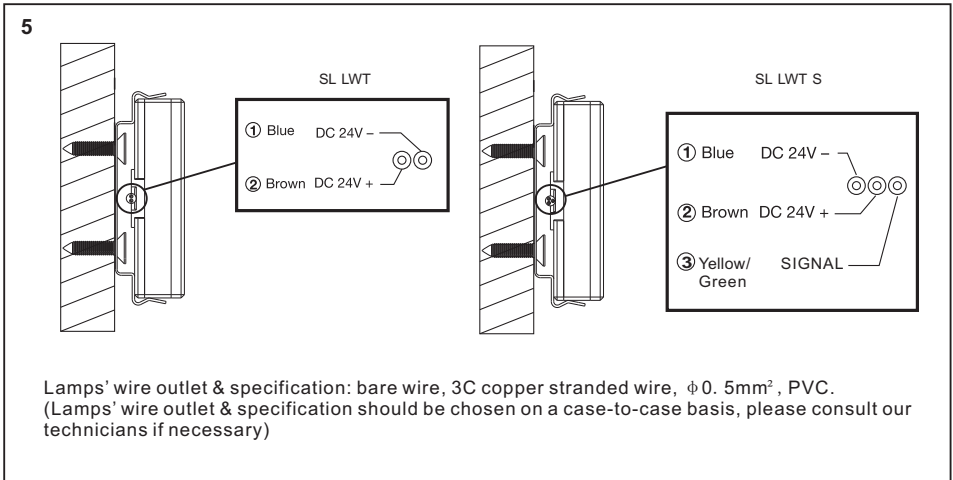
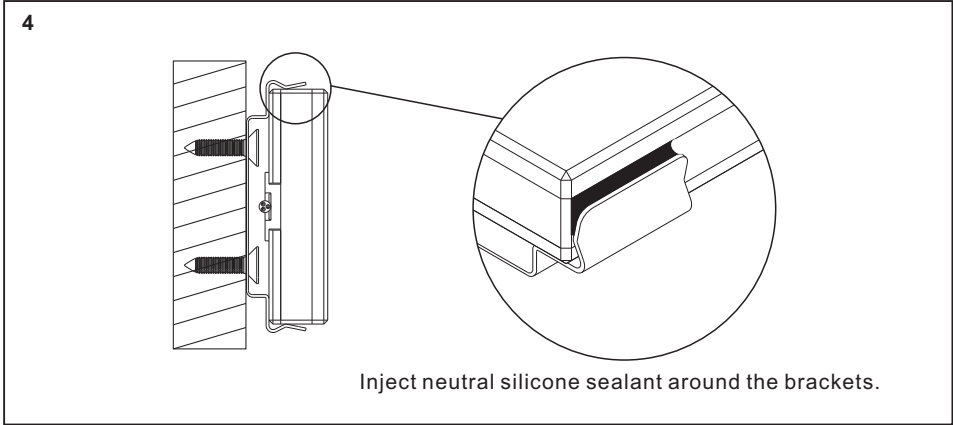
	D (mm)	
	D1	D2
SL LWB 240 / S	210	30
SL LWB 730 / S	700	30
SL LWB 1220 / S	1190	30

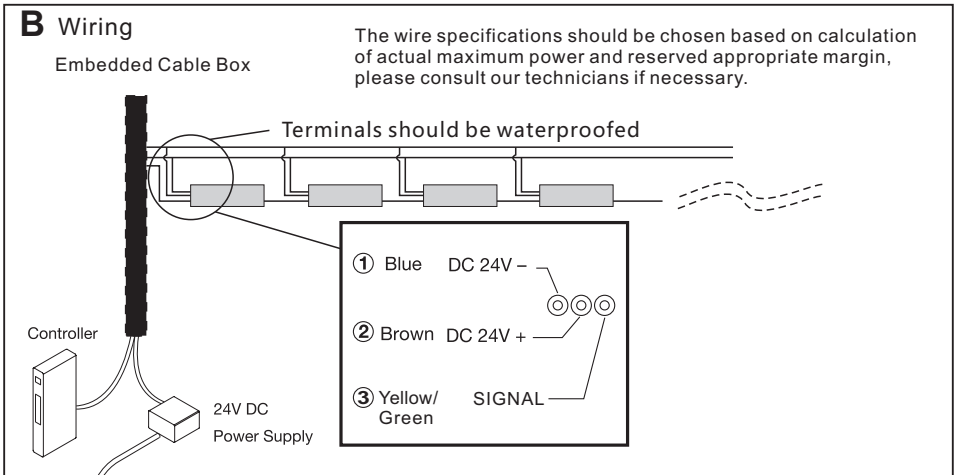
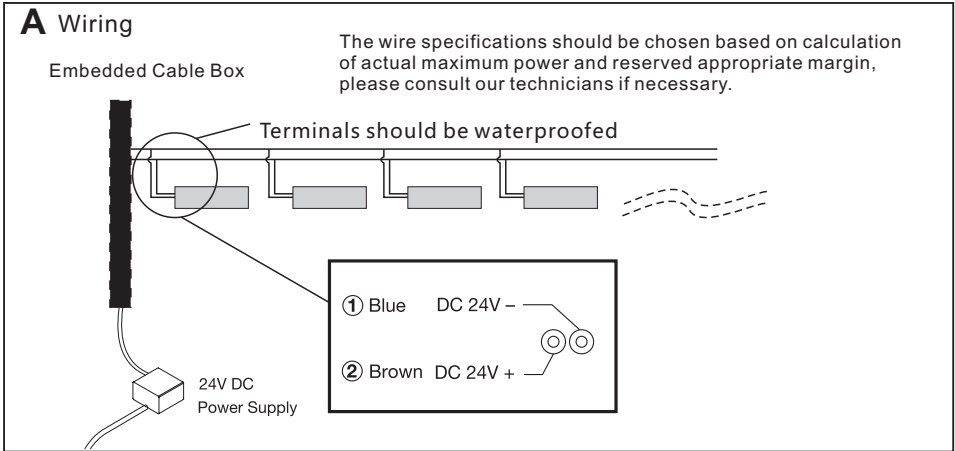
2

① Aim the mounting brackets at the holes.
 ② Tighten the brackets with M4 stainless steel flat head self-tapping screws.
 ③ Calibrate the brackets with tile module, ensuring the installation accuracy.

3

① Align the left end of the LED wall tile with the left end of the bracket, push it in firmly and align it with the brackets.
(LED wall tile can be installed/moved by adjusting one side's angle)





Fittings

Product	Factory Fittings	Other Fittings (purchased by customer)
SL LWT	Brackets*2PCS	M4*20mm Stainless Steel Flat Head Self-Tapping Screws *4PCS
		M6*25mm Plastic Wall Plug Anchor *4PCS
		P1 Terminal *2PCS
		Neutral Silicone Sealant
SL LWT S	Brackets*2PCS	M4*20mm Stainless Steel Flat Head Self-Tapping Screws *4PCS
		M6*25mm Plastic Wall Plug Anchor *4PCS
		P1 Terminal *2PCS
		Neutral Silicone Sealant

Construction Instruction

1. Welding or terminal connection is advisable for lamps' wiring. The wiring should be chosen according to the actual field condition, the following table is for reference;
2. The specification of embedded wire should be chosen according to the actual field condition, the following table is for reference;

Circuit Design	Single Lines' Total Power (W)	Embedded Wire's Diameter(mm ²)	Lamp Wiring
Parallel Connection	< 60	2.5	Welding or Terminal Connection
	60-150	4	Welding
Series Connection	< 60	2.5	Welding or Terminal Connection
	60-150	4	Welding

3. The resistance between the first lamp to power supply should be less than 0.2Ω(in plus out) ;
4. The distribution box should have power reservation, 50% is recommended ;
5. The voltage of the power line shall not be less than 21V after line loss;
6. IP67 rating insulation protection is required at the junction of welding or terminal connection;
7. IP67 rating insulation protection is required if there is bare wire from the last lamp;
8. Well place the lamps during construction to avoid smashing since the lamps use tempered glass raw material and sandwich structure.

WARNING

1. The luminaire should be installed and maintained by qualified electrician and wired in accordance with the latest IEE electrical regulations or the national regulations. Terminal block not included. Installation may require advice from a qualified person.
2. The luminaire should be driven by certified independent SELV LED driver complying with IEC/EN 61347-2-13, and with constant output voltage: DC24V and make sure output power of the LED driver is at least equal to the rated power of all connected luminaires.
3. The power must be OFF during installation and maintenance.
4. The external flexible cable or cord of this luminaire cannot be replaced. If the cord is damaged, the luminaire shall be destroyed.
5. The light source of this luminaire can not be exchanged; if the user needs to exchange the light source (e.g. the light source is at the end of its life cycle), then the completed luminaire has to be exchanged.
6. Installation: Surface mounted.

Troubleshooting

1. If there are troubles when testing lamps on side, refer to the below table for troubleshooting.

Trouble	Troubleshooting
Single lamp fails to light up	Check the power in
	Check the power control program problems
	Check the lamp
Single lamp fails to be controlled	Check the lamp
Most lamps fail to light up	Check electric box's power transmission
	Check the power supply
	Check the cable connection
Most lamps fail to be controlled	Check the signal wire connection
	Check the first lamp which fails to be controlled

2. If trouble continues after checking the above causes, please contact our technicians promptly.

Conformance to:

GB 7000.1 Lamp Part1:General safety requirements and tests
 GB 7000.201 Lamp Part 2-1: Special requirements for fixed general lamps

DuraComm Lighting

Add: 6655 Troost Ave. Kansas City, MO 64131
 Tell: 816-472-5544
 Web: www.duracommlighting.com



IP65

